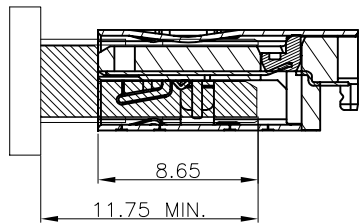
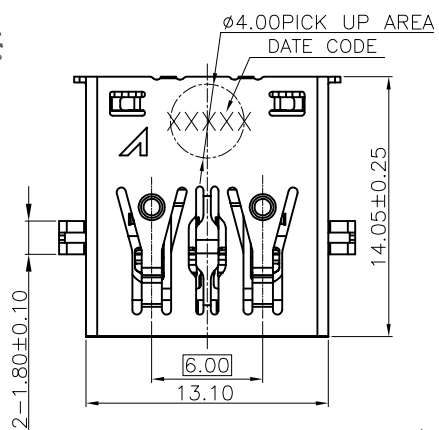
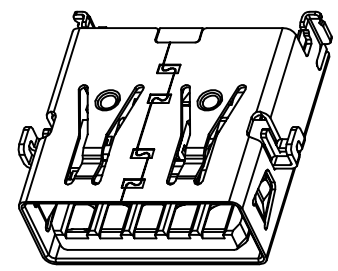
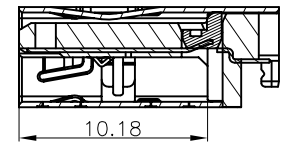




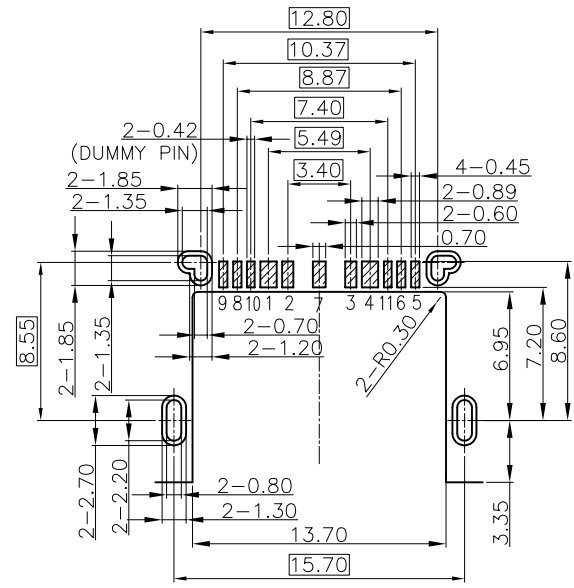
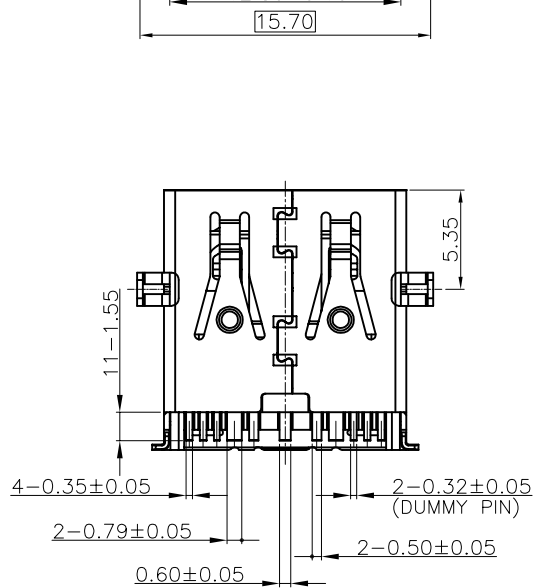
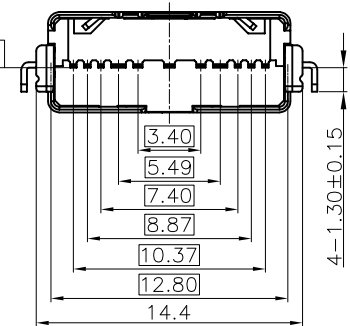
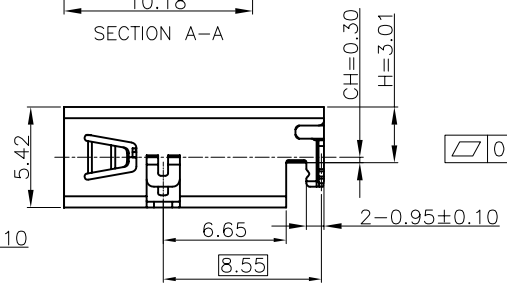
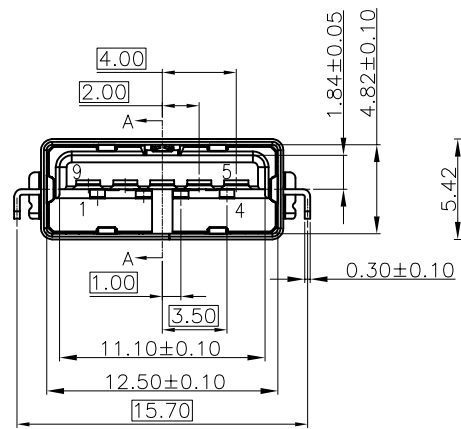
A B C D E F G H I J



USB 3.1 MATING DWG



3D VIEW



RECOMMENDED PCB LAYOUT (COMPONENT SIDE)
(TOLERANCE:±0.05)

NOTES:

- 1.MATERIAL:
 - 1.1 HOUSING: SEE TABLE
 - 1.2 CONTACTS: SEE TABLE(INCLUDED DUMMY PIN)
 - 1.3 SHELL: SEE TABLE
 - 1.4 CONDUCTIVE PLASTIC: SEE TABLE
- 2.FINISH:
 - 2.1 CONTACT: SEE P/N
 - 2.2 SHELL: SEE TABLE
- 3.THE CONNECTOR IS RoHS COMPLIANT, AND MEET USB3.1 GEN 2 DATA TRANSFER RATE REQUIREMENT
- 4.DATE CODE: XXXXXX
 - YEAR
 - MONTH
 - DATE
 - FACTORY
- 5.SPEC. PLS. REFER TO PS-30175-XXXXX-XXX
- 6.PACKAGE PLS. REFER TO 31131-XXXXX-XXX-PCK
- 7.P/N: 31131-011 X X-ZXX
 - CKTS
 - Z02: BLACK
 - PACKING
 - PLATING:
 - 0: TAPE&REEL
 - 2:GOLD FLASH ON CONTACT AREA

NO	DESCRIPTION	Q'TY	MATERIAL	PLATING & COLOR
D	CONDUCTIVE PLASTIC	1	LCP+CARBON	UL 94V-0, COLOR: BLACK
C	SHELL	1	SUS304	50u" MIN. NICKEL PLATED
B	TERMINAL	11	BRASS	50u" MIN. NICKEL UNDERPLATED CONTACT AREA: SEE P/N SOLDER AREA: 80u" MIN. MATTE TIN PLATED
A	HOUSING	1	PA9T+G.F	UL 94V-0, COLOR: SEE P/N

Pin #	SIGNAL NAME
1	VBUS
2	D-
3	D+
4	GND
5	Std_A_SSRX-
6	Std_A_SSRX+
7	GND_DRAIN
8	Std_A_SSTX-
9	Std_A_SSTX+
10/11	Dummy Pin SMT solder tail for grounding
Shell	Shield

QUALITY SYMBOLS
MAJOR Ⓢ
CRITICAL Ⓢ
GENERAL TOLERANCES
(UNLESS SPECIFIED)
X. ±0.5
.X ±0.25
.XX ±0.15
.XXX ±0.1
ANGLES ±2°

DRAWN BY	DATE
LIAO WAN TING	'21/02/04
CHECKED BY	DATE
TENG CHANG HO	'21/02/04
APPROVED BY	DATE
KUO JUNG HSUN	'21/02/04

ACES ELECTRONICS

TITLE: **USB3.1 STD SINK A TYPE RECEPTACLE**
SMT R/A CH=0.30mm, with Dummy Pin

UNITS: mm
SCALE: X:X

SHEET NO. 1 OF 1

SIZE: A4
REV: A

RFO NO. RFQ-1022-200909-01
DWG NO. 31131-XXXXX-ZXX

B C D E F G H I J